

# Magnetic Wireless Charger / Power Bank

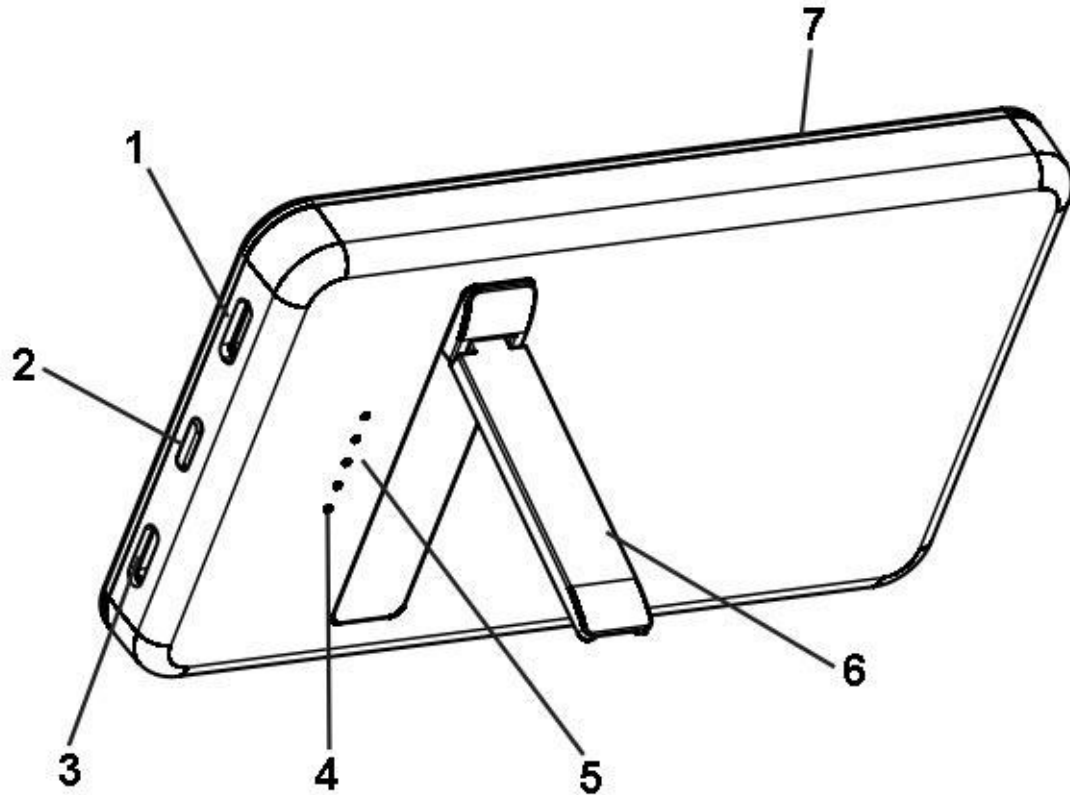
## - iPhone 12/12 Pro/12 Pro Max/12



### Specifications:

- Battery: Li-polymer, 5000mAh, 3.8V, about 19Wh
- Lighting port input: 5V/2A

- Output: 15W/10W/7.5W/5W Qi wireless charging
- USB-C input: 5V/2A, 9V/2A, 18W max
- USB-C output: PD 5V/2.4A, 9V/2A, 12V/1.5A, 18W max



1. USB-C input/output
2. On/Off button
3. Lighting input
4. Wireless LED indicator
5. Battery LED indicators
6. Stand
7. Qi charger

You can use it to recharge your iPhone 12 models with or without a protective case. If you use it with a case, your case needs to support a magnetic function. For a non-magnetic case, use the included metal ring and install it on the center of the case. You can also recharge any other device via the USB-C output.