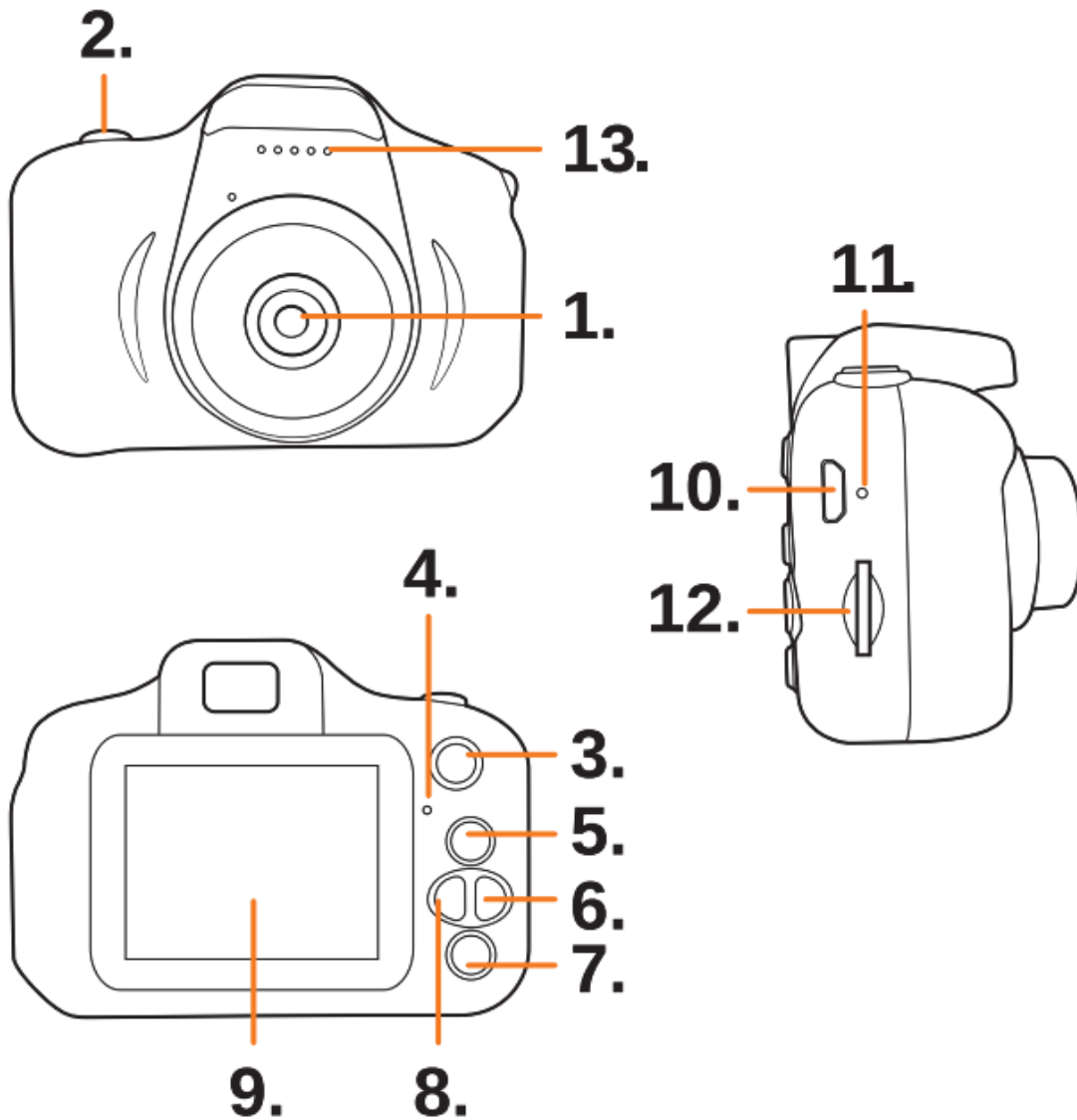


# User Manual for Forever SKC-100 Smile Kids Digital Camera



## Specifications

- Model: SKC-100
- Screen: HD 2" TFT
- Video resolution: 1140x1080p, 1280x720p, 640x480p
- Image resolution: 3MP, 2MP, 1.3MP, VGA
- MicroSD port: up to 32GB card (NOT included)
- Input: microUSB port, DC 5V
- Pre-installed games: Snake, Maze, Sokoban, Guess, Fighting



- |                            |                            |
|----------------------------|----------------------------|
| 1. Lens                    | 8. Menu settings           |
| 2. Camera button (Ok menu) | 9. Display                 |
| 3. On/Off                  | 10. MicroUSB charging port |
| 4. Activity LED            | 11. Reset button           |
| 5. Up button               | 12. SD card slot           |
| 6. Mode button             | 13. Microphone             |
| 7. Down button             |                            |

## **Charging**

When the battery level is low, connect the camera to the 5V charger or computer using the microUSB cable. When the camera is turned off and begins charging, the activity LED lamp will turn red. Once it's fully charged, the LED will turn off.

## **Camera operations**

To turn the camera On, press and hold the On/Off button until the activity LED turns blue.

To start video recording, shortly press the Mode button to go into the video recording mode. In the top right corner, a video-recorded icon will appear. To start recording press the Camera button and a red dot in the top part of the screen will indicate that the camera start recording. To stop recording, press the Camera button again.

To start taking pictures shortly press the Mode button to go into the camera mode. In the top right corner, a camera icon will appear. To take a picture press the Camera button.

To browse files, shortly press the Mode button to go into the browsing mode. To go between the files, use the Up and Down buttons.

Shortly press the Menu Settings button to open the camera settings. To navigate use the Up and Down buttons. To choose the desired function press the Camera button. To exit the settings, shortly press the Menu Settings button again.

In order to take and save photos, you need an SD card of up to 32GB. The camera doesn't have built-in memory.